

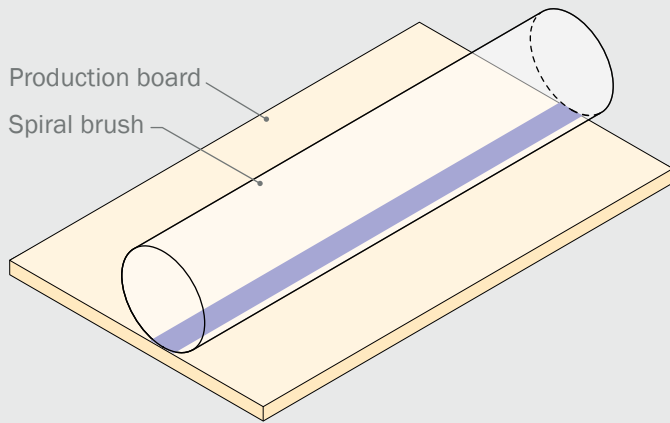


**Weber**<sup>®</sup>  
BRUSH SYSTEMS

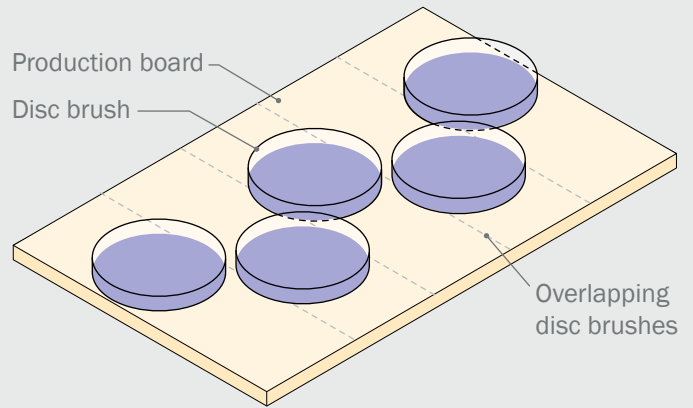
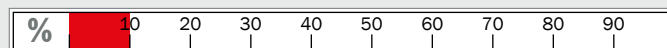
**Crust Cracker**<sup>®</sup>

The New Generation  
of **Board Cleaning**

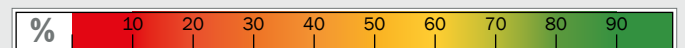
## Crust Cracker®



Bearing surface spiral brush: **10% active bristles**



Bearing surface disc brushes: **100% active bristles**



## Spiral brush and Crust Cracker® in comparison

### The optimum cleaning

**Crust Cracker®** provides the highest cleaning performance of any inline system. Its five overlapping plate brushes reach every inch of board surface. Depending on operating conditions and the conditions of the production boards the brushes are fitted with the most suitable bristle type: from super aggressive nylon grit

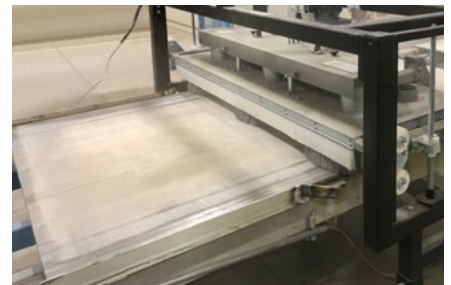
to the only mildly abrasive polypropylene. Embedded concrete, encrusted parting agents, grime and rust are eliminated promptly while new build-up is effectively prevented. The **Crust Cracker®** operates as a self-contained, auto-controlled system and will fit existing production lines.

**Conventional cleaning**  
with spiral brush:



**The Crust Cracker®**

offers optimum cleaning due to the large bearing surface of the brushes:



**Note:**

The **Crust Cracker®** is optimized for use with dog-pusher conveyors. Adjustment for conveyors using the walking-beam method is possible on request.



Up to  
70% higher  
efficiency



## Crust Cracker<sup>®</sup>

The New Generation  
of Board Cleaning

### Features

- > For cleaning production boards made of steel, plastic and wood
- > Auto controlled system
- > Fits existing production lines
- > Suitable for dust extraction

 **made  
in  
Germany**

As an addition to the **Crust Cracker®** we recommend the special release agents for production boards from Rhein-Chemotechnik GmbH.



Our Recommendation

**tectol**  
**CoatRelease | CoatRelease 2**

[www.rhein-chemotechnik.com](http://www.rhein-chemotechnik.com) | [info@rhein-chemotechnik.com](mailto:info@rhein-chemotechnik.com)

Special Release Agents for Production Boards  
in Concrete Products Coating Processes

- effective release action
- easier removal of coating material overspray
- to be applied easily
- economical in use
- readily biodegradable



**Weber Brush Systems GmbH**

**Administration, sales, development,  
production and customer service**

Kleinmühle an der B8

65520 Bad Camberg

T +49 (0) 6434 91 25 - 0

F +49 (0) 6434 91 25 - 42



Product film

